

# MBFR / MBF

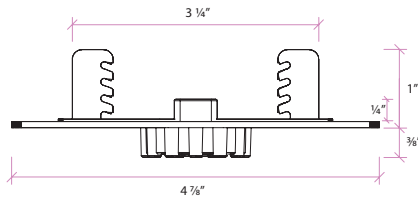
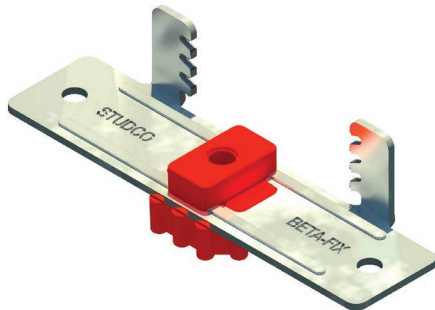
Adjustable Direct Fix Furring Channel Resilient Mount

## Installation Instructions



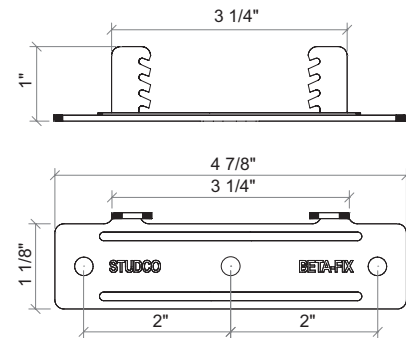
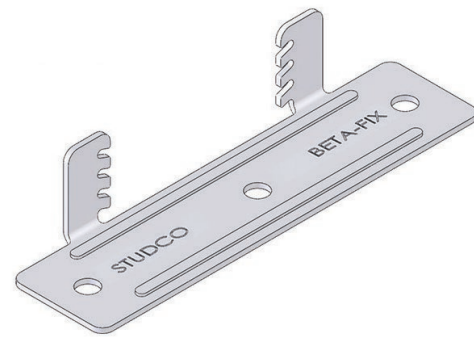
### MBFR SPECIFICATIONS

- Clip Height:** 1 3/8"
  - Metal Thickness:** .069" / 14 gauge
  - Width:** 1 1/4"
  - Length:** 4 7/8"
  - Height Of Rubber:** 3/8"
- \*Height of rubber on top of clip*



### MBF SPECIFICATIONS

- Clip Height:** 1"
- Metal Thickness:** .069"/14 Gauge
- Width:** 1 1/4"
- Length:** 4 7/8"



### FURRING CHANNEL:

- Minimum:** 25 Gauge with hemmed edge
- Depth:** 7/8" or 1-1/2"
- Width at top:** 1-1/4"
- Width flange to flange:** 2-1/2"



Part No.	Description	Length	Stock Pack	Appx LB/Ft.
<b>25 Gauge (18 Mils)</b>				
FC-7825	7/8" Furring Channel	12	500	0.2597
FC-11225	1-1/2" Furring Channel	12	500	0.3324
<b>20 Gauge (30 Mils)</b>				
FC-7820	7/8" Furring Channel	12	500	0.3659
FC-11220	1-1/2" Furring Channel	12	500	0.4723

Information contained within this document supersedes all previous versions and is subject to change without notice.



## INSTALLATION NOTES

- Resilmount Betafix MBF or MBFR shall not exceed 48" on center along furring channel.
- Spacing between metal furring channels shall not exceed 24"
- Fasten the Resilmount Betafix MBF and MBFR to the substrate with a fastener approved for a minimum pull-out and shear of 120 Lbs.
- Locate the bottom row of Resilmount Betafix MBF and MBFR within 3" of the floor. (May be adjusted lower to accommodate installation of baseboard)
- Metal furring channels are installed perpendicular to the joists or studs.
- Install the drywall perpendicular to metal furring channel, leaving a 1/4" thick gap around perimeter of wall to be filled with acoustical caulk. Caulk around the entire perimeter of the gypsum board.



## FASTENERS

**Wood:** # 8 x 2-1/2" Coarse Threads (A)

**Steel:** #8, #10 or #12 x 1-5/8" Self Tapping Type S (B)

**Concrete:** 3/16" x 2-1/4" Anchor Screws (C)

**DO NOT** fasten Resilmount clips to framing members with nails. Use only approved screws.



## WALL INSTALLATION GUIDE:

\*For both the MBF and the MBFR.

### Step 1

Review layout guidelines before starting installation of walls or ceilings (see Page 6). We suggest installing the ceiling first, before installing the walls.

### Step 2

Space Resilmount Betafix MBF or MBFR so not to exceed 48" OC. Secure clips with a single fastener through the middle screw hole in the clip.

**Wood:** Use #8 x 2-1/2" coarse thread screws

**Steel:** Use #8, #10, or #12 x 1-5/8" Type s Self tapping screws

**Concrete:** Use 3/16" x 2-1/4" Tapcon or equal anchor

### Step 3

Snap hat channel onto Resilmount clip.

### Step 4

The floor shims are critical to ensure best results. Place 1/4" shims on floor in front of sole plate. Install the first row of drywall vertically against the wall. Attach drywall to channel following local building codes.

Note: Only remove the shims after all the gypsum board is completely screwed to all furring channels.

### Step 5

Use acoustical caulk around the entire perimeter of each wall.

### IMPORTANT NOTE:

*The Betafix MBFR is for wall assemblies only, use of the MBFR in a ceiling assembly is NOT permitted.*



## CEILING INSTALLATION GUIDE:

\*Do NOT use the MBFR in a ceiling installation, MBF ONLY.

### Step 1

Review layout guidelines before starting installation of walls or ceilings (see Page 6). We suggest installing the ceiling first, before installing the walls.

### Step 2

Space Resilmount Betafix MBF so not to exceed 48" OC. Secure MBF with 2 fasteners in holes either side of the clip.

**Wood:** Use #8 x 2-1/2" coarse thread screws

**Steel:** Use #8, #10, or #12 x 1-5/8" Type s Self tapping screws

**Concrete:** Use 3/16" x 2-1/4" Tapcon or equal anchor

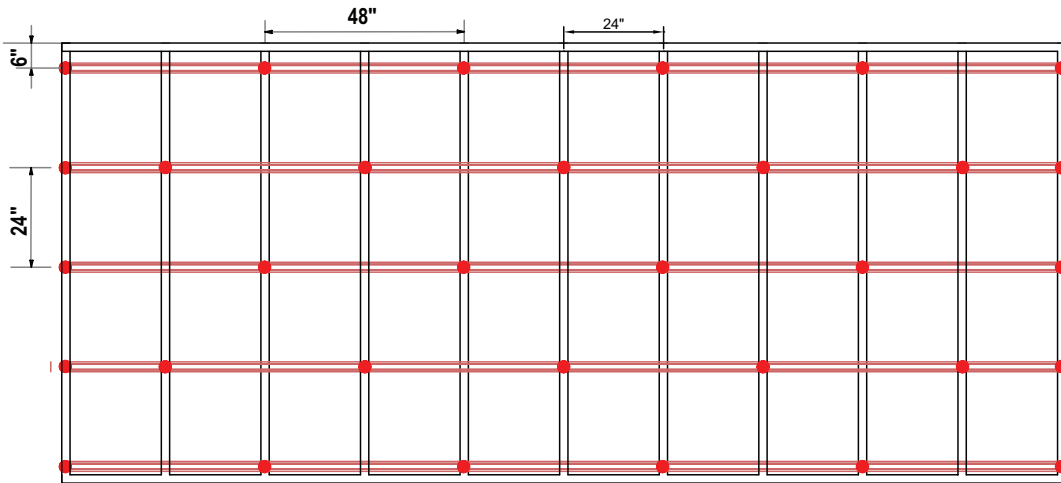
### Step 3

Snap hat channel into Resilmount Betafix MBF.

- If using above a 25 gauge furring channel, first slide the clips onto the furring channel, then attach to the ceiling.

 **FIXING LAYOUT**

**Layouts for studs at 24" OC with 1 or 2 layers of Gypsum Board**



**Layouts for studs at 16" OC with 1 or 2 layers of Gypsum Board**

